

## Class I SSD for surge protective device

### ESCB-20TA/4P



### Description

Eyzao Surge backup Protector (SSD) is connected in series between the power line and the surge protector, which can be immediately disconnected in case of power failure or SPD failure short circuit. The low current (3A) action feature prevents the surge protector (SPD) from catching fire, and the SSD has high surge resistance, which can withstand the expected surge current where SPD is installed to achieve safety Ray's purpose.

Eyzao SSD has small size, high sensitivity, and strong short-circuit breaking ability. It can match any type of SPD, and adopts a single piece free assembly structure, which is more flexible in pairing and use to achieve perfect protection effect.

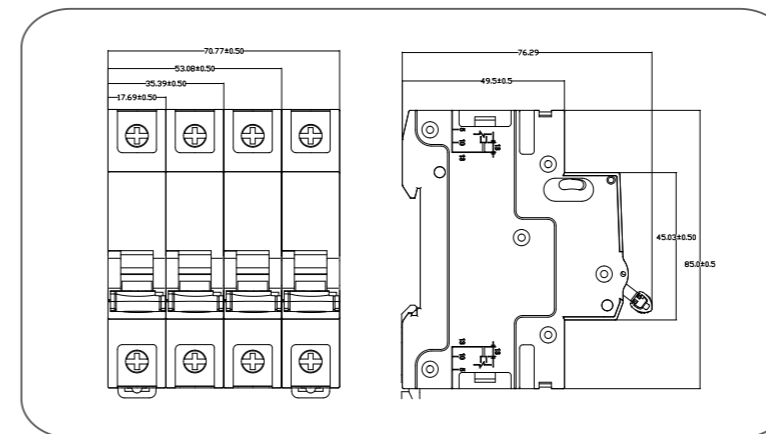
### Features

- Wide range of short circuit current protection (3A-100kA);
- T1 class SSD (10/350µs) waveform surge tolerance up to 50kA;
- The T2 class SSD (8/20µs) waveform has a surge tolerance of up to 160kA;
- When the power surge occurs, the SSD at both ends of the residual low pressure, the device can be more secure protection;
- Works perfectly with SPD, safely disconnects when SPD fails, and can be activated after triggering Reuse.

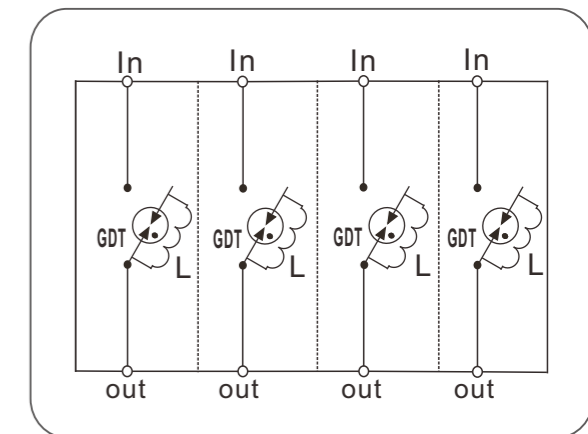
### Electrical

Test category of SPD	I Type
Meet the standard	NB/T42150-2021
Rated operating voltage (Ue)	230/400Vac
Maximum impulse current (Iimp)	15kA
Nominal discharge current (In)	15kA
Rated short circuit capacity (Icn)	100/65kA
Minimum delay action current (Id)	3A±1A(≤5s)
Minimum instantaneous operating current (Ii)	3A±1A(≤0.1s)
Working temperature (Tu)	-40°C...+80°C
Degree of protection	IP20
Remote indication function	Implementation of installable iOF accessories
Wiring capacity	Flexible cord 2.5-25mm <sup>2</sup> , Hard wire 2.5-35mm <sup>2</sup>
Recommended wiring	≥16mm <sup>2</sup>
Incoming line mode	35mmDIN rail/ "Up in down out" or "down in up out"
Weight	474g
Size	72x85x76mm
Product code	921401

### Dimension drawing



### Circuit diagram





## Class I SSD for surge protective device

### ESCB-25TA/4P



### Description

Eyzao Surge backup Protector (SSD) is connected in series between the power line and the surge protector, which can be immediately disconnected in case of power failure or SPD failure short circuit. The low current (3A) action feature prevents the surge protector (SPD) from catching fire, and the SSD has high surge resistance, which can withstand the expected surge current where SPD is installed to achieve safety Ray's purpose.

Eyzao SSD has small size, high sensitivity, and strong short-circuit breaking ability. It can match any type of SPD, and adopts a single piece free assembly structure, which is more flexible in pairing and use to achieve perfect protection effect.

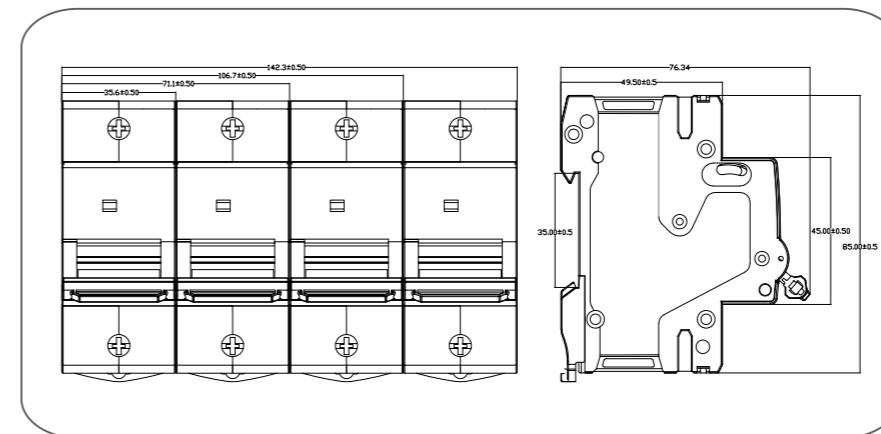
### Features

- Wide range of short circuit current protection (3A-100kA);
- T1 class SSD (10/350μs) waveform surge tolerance up to 50kA;
- The T2 class SSD (8/20μs) waveform has a surge tolerance of up to 160kA;
- When the power surge occurs, the SSD at both ends of the residual low pressure, the device can be more secure protection;
- Works perfectly with SPD, safely disconnects when SPD fails, and can be activated after triggering Reuse.

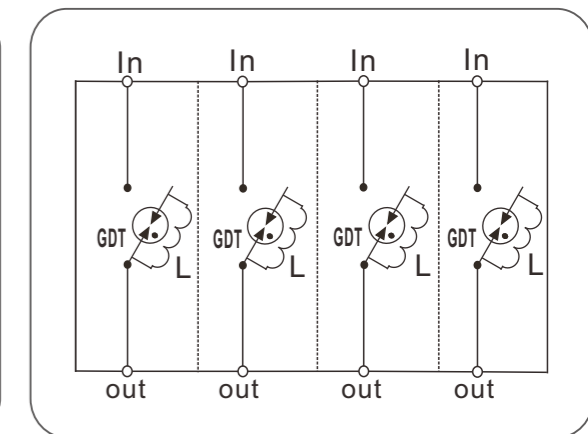
### Electrical

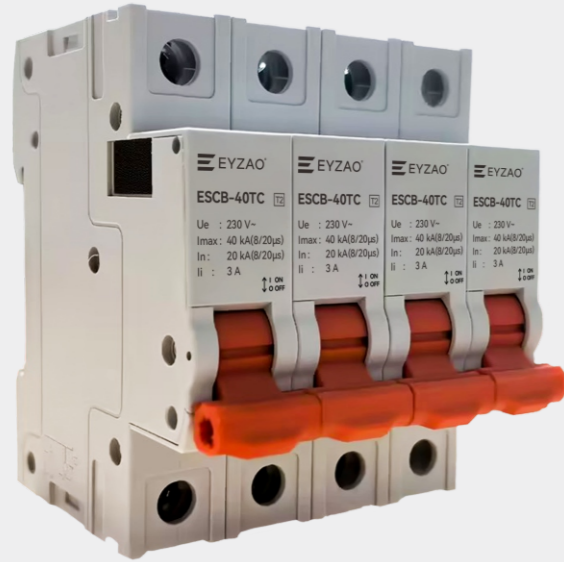
Test category of SPD	I Type
Meet the standard	NB/T42150-2021
Rated operating voltage (Ue)	230/400Vac
Maximum impulse current (Iimp)	25kA
Nominal discharge current (In)	25kA
Rated short circuit capacity (Icn)	100/65kA
Minimum delay action current (Id)	3A±1A(≤5s)
Minimum instantaneous operating current (Ii)	3A±1A(≤0.1s)
Working temperature (Tu)	-40°C...+80°C
Degree of protection	IP20
Remote indication function	Implementation of installable iOF accessories
Wiring capacity	Flexible cord 2.5-25mm <sup>2</sup> , Hard wire 2.5-35mm <sup>2</sup>
Recommended wiring	≥16mm <sup>2</sup>
Incoming line mode	35mmDIN rail/ "Up in down out" or "down in up out"
Weight	780g
Size	144x86x77mm
Product code	921402

### Dimension drawing



### Circuit diagram





## Class II SSD for surge protective device

### ESCB-40TC/4P



### Description

Eyzao Surge backup Protector (SSD) is connected in series between the power line and the surge protector, which can be immediately disconnected in case of power failure or SPD failure short circuit. The low current (3A) action feature prevents the surge protector (SPD) from catching fire, and the SSD has high surge resistance, which can withstand the expected surge current where SPD is installed to achieve safety Ray's purpose.

Eyzao SSD has small size, high sensitivity, and strong short-circuit breaking ability. It can match any type of SPD, and adopts a single piece free assembly structure, which is more flexible in pairing and use to achieve perfect protection effect.

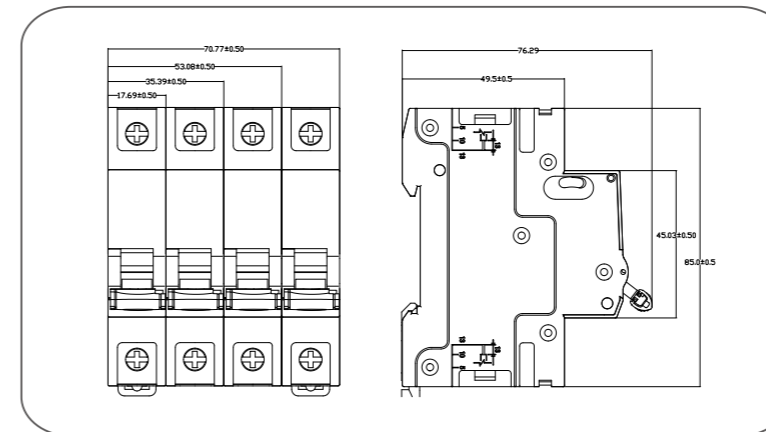
### Features

- Wide range of short circuit current protection (3A-100kA);
- T1 class SSD (10/350 $\mu$ s) waveform surge tolerance up to 50kA;
- The T2 class SSD (8/20 $\mu$ s) waveform has a surge tolerance of up to 160kA;
- When the power surge occurs, the SSD at both ends of the residual low pressure, the device can be more secure protection;
- Works perfectly with SPD, safely disconnects when SPD fails, and can be activated after triggering Reuse.

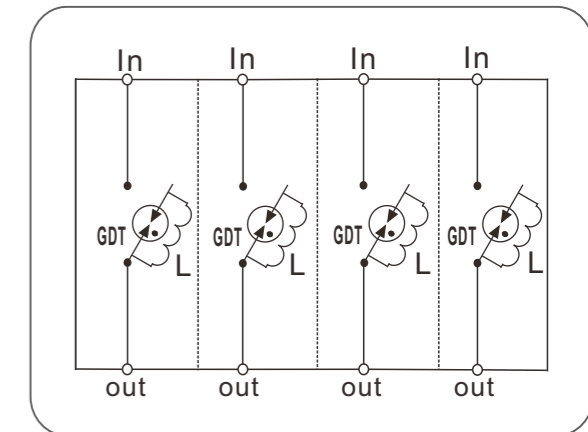
### Electrical

Test category of SPD	II Type
Meet the standard	NB/T42150-2021
Rated operating voltage (Ue)	230/400Vac
Maximum discharge current (Imax)	40kA
Nominal discharge current (In)	20kA
Rated short circuit capacity (Icn)	100/65kA
Minimum delay action current (Id)	3A $\pm$ 1A( $\leq$ 5s)
Minimum instantaneous operating current (Ii)	3A $\pm$ 1A( $\leq$ 0.1s)
Working temperature (Tu)	-40 $^{\circ}$ C...+80 $^{\circ}$ C
Degree of protection	IP20
Remote indication function	Implementation of installable iOF accessories
Wiring capacity	Flexible cord 2.5-25mm <sup>2</sup> , Hard wire 2.5-35mm <sup>2</sup>
Recommended wiring	$\geq$ 4mm <sup>2</sup>
Incoming line mode	35mmDIN rail/ "Up in down out" or "down in up out"
Weight	474g
Size	72x85x76mm
Product code	921405

### Dimension drawing



### Circuit diagram





## Class II SSD for surge protective device

### ESCB-80TB/4P



### Description

Eyzao Surge backup Protector (SSD) is connected in series between the power line and the surge protector, which can be immediately disconnected in case of power failure or SPD failure short circuit. The low current (3A) action feature prevents the surge protector (SPD) from catching fire, and the SSD has high surge resistance, which can withstand the expected surge current where SPD is installed to achieve safety Ray's purpose.

Eyzao SSD has small size, high sensitivity, and strong short-circuit breaking ability. It can match any type of SPD, and adopts a single piece free assembly structure, which is more flexible in pairing and use to achieve perfect protection effect.

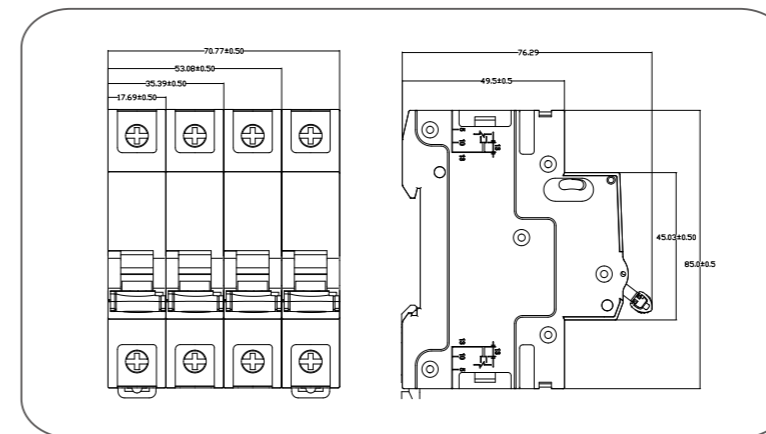
### Features

- Wide range of short circuit current protection (3A-100kA);
- T1 class SSD (10/350μs) waveform surge tolerance up to 50kA;
- The T2 class SSD (8/20μs) waveform has a surge tolerance of up to 160kA;
- When the power surge occurs, the SSD at both ends of the residual low pressure, the device can be more secure protection;
- Works perfectly with SPD, safely disconnects when SPD fails, and can be activated after triggering Reuse.

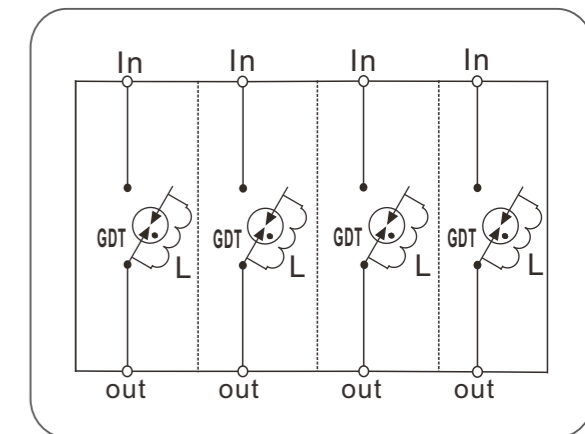
### Electrical

Test category of SPD	II Type
Meet the standard	NB/T42150-2021
Rated operating voltage (Ue)	230/400Vac
Maximum discharge current (Imax)	80kA
Nominal discharge current (In)	40kA
Rated short circuit capacity (Icn)	100/65kA
Minimum delay action current (Id)	3A±1A(≤5s)
Minimum instantaneous operating current (Ii)	3A±1A(≤0.1s)
Working temperature (Tu)	-40°C...+80°C
Degree of protection	IP20
Remote indication function	Implementation of installable iOF accessories
Wiring capacity	Flexible cord 2.5-25mm <sup>2</sup> , Hard wire 2.5-35mm <sup>2</sup>
Recommended wiring	≥4mm <sup>2</sup>
Incoming line mode	35mmDIN rail/ "Up in down out" or "down in up out"
Weight	486g
Size	72x85x76mm
Product code	921407

### Dimension drawing



### Circuit diagram





## Class II SSD for surge protective device

### ESCB-100TB/4P



### Description

Eyzao Surge backup Protector (SSD) is connected in series between the power line and the surge protector, which can be immediately disconnected in case of power failure or SPD failure short circuit. The low current (3A) action feature prevents the surge protector (SPD) from catching fire, and the SSD has high surge resistance, which can withstand the expected surge current where SPD is installed to achieve safety Ray's purpose.

Eyzao SSD has small size, high sensitivity, and strong short-circuit breaking ability. It can match any type of SPD, and adopts a single piece free assembly structure, which is more flexible in pairing and use to achieve perfect protection effect.

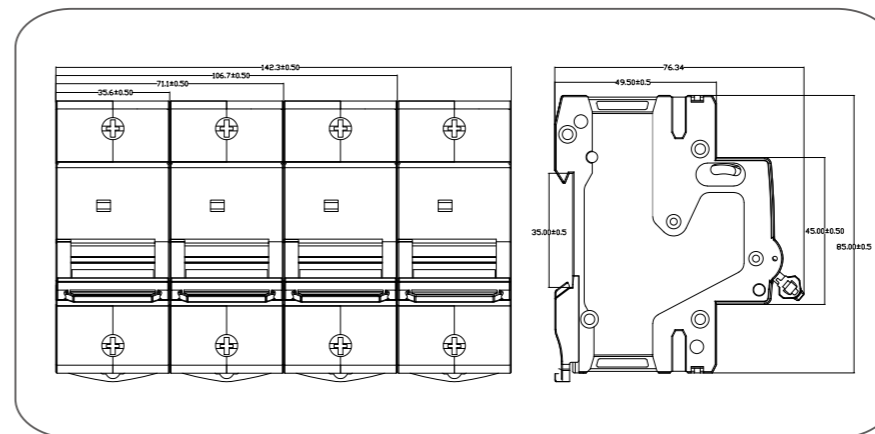
### Features

- Wide range of short circuit current protection (3A-100kA);
- T1 class SSD (10/350μs) waveform surge tolerance up to 50kA;
- The T2 class SSD (8/20μs) waveform has a surge tolerance of up to 160kA;
- When the power surge occurs, the SSD at both ends of the residual low pressure, the device can be more secure protection;
- Works perfectly with SPD, safely disconnects when SPD fails, and can be activated after triggering Reuse.

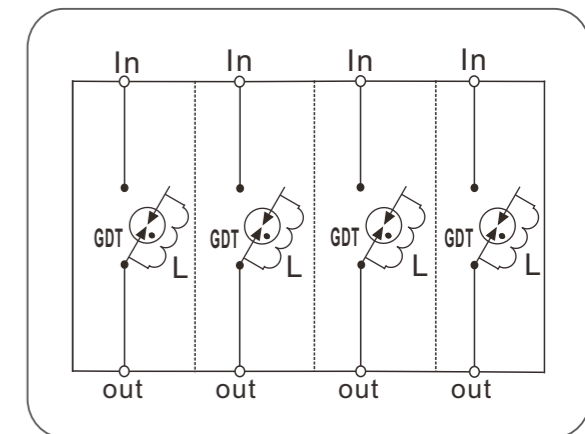
### Electrical

Test category of SPD	II Type
Meet the standard	NB/T42150-2021
Rated operating voltage (Ue)	230/400Vac
Maximum discharge current (Imax)	100kA
Nominal discharge current (In)	50kA
Rated short circuit capacity (Icn)	100/65kA
Minimum delay action current (Id)	3A±1A(≤5s)
Minimum instantaneous operating current (Ii)	3A±1A(≤0.1s)
Working temperature (Tu)	-40°C...+80°C
Degree of protection	IP20
Remote indication function	Implementation of installable iOF accessories
Wiring capacity	Flexible cord 2.5-25mm <sup>2</sup> , Hard wire 2.5-35mm <sup>2</sup>
Recommended wiring	≥16mm <sup>2</sup>
Incoming line mode	35mmDIN rail/ "Up in down out" or "down in up out"
Weight	780g
Size	144x86x77mm
Product code	921408

### Dimension drawing



### Circuit diagram





## Class II SSD for surge protective device

### ESCB-120TB/4P



### Description

Eyzao Surge backup Protector (SSD) is connected in series between the power line and the surge protector, which can be immediately disconnected in case of power failure or SPD failure short circuit. The low current (3A) action feature prevents the surge protector (SPD) from catching fire, and the SSD has high surge resistance, which can withstand the expected surge current where SPD is installed to achieve safety Ray's purpose.

Eyzao SSD has small size, high sensitivity, and strong short-circuit breaking ability. It can match any type of SPD, and adopts a single piece free assembly structure, which is more flexible in pairing and use to achieve perfect protection effect.

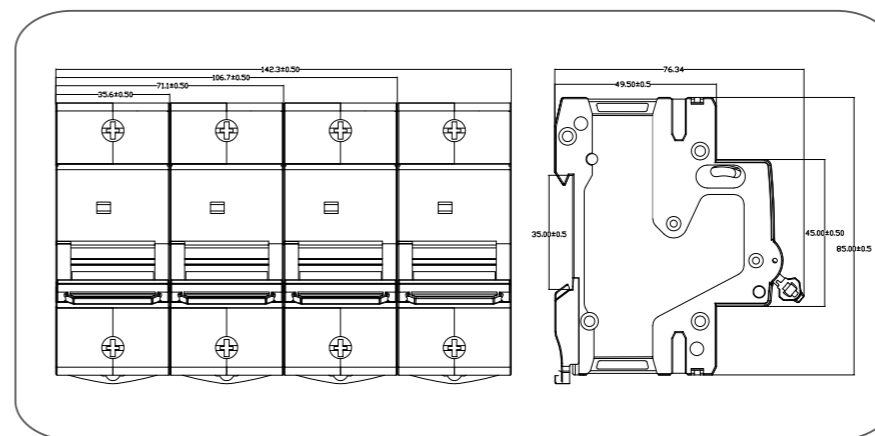
### Features

- Wide range of short circuit current protection (3A-100kA);
- T1 class SSD (10/350μs) waveform surge tolerance up to 50kA;
- The T2 class SSD (8/20μs) waveform has a surge tolerance of up to 160kA;
- When the power surge occurs, the SSD at both ends of the residual low pressure, the device can be more secure protection;
- Works perfectly with SPD, safely disconnects when SPD fails, and can be activated after triggering Reuse.

### Electrical

Test category of SPD	II Type
Meet the standard	NB/T42150-2021
Rated operating voltage (Ue)	230/400Vac
Maximum discharge current (Imax)	120kA
Nominal discharge current (In)	60kA
Rated short circuit capacity (Icn)	100/65kA
Minimum delay action current (Id)	3A±1A(≤5s)
Minimum instantaneous operating current (Ii)	3A±1A(≤0.1s)
Working temperature (Tu)	-40°C...+80°C
Degree of protection	IP20
Remote indication function	Implementation of installable iOF accessories
Wiring capacity	Flexible cord 2.5-25mm <sup>2</sup> , Hard wire 2.5-35mm <sup>2</sup>
Recommended wiring	≥16mm <sup>2</sup>
Incoming line mode	35mmDIN rail/ "Up in down out" or "down in up out"
Weight	780g
Size	144x86x77mm
Product code	921409

### Dimension drawing



### Circuit diagram

